

# DESCRIPTION OF SPARE PARTS KIT



## EL 2512-K EN

### Translation of original instructions

This description of the spare parts kit does **not** replace the mounting and operating instructions for the pressure reducing valve. Observe the safety instructions as well as the warning and caution notes specified in the mounting and operating instructions.

### Identification

The spare parts kit contains original spare parts for the SAMSON Type 41-23 Pressure Reducing Valve.

The parts are specified in detail at the end of this document.

### General information on use

- The spare parts included in the spare parts kit are not cleaned before delivery.
- Service work must only be performed by personnel appropriately qualified to carry out such work.
- Certain test results certified by SAMSON lose their validity when the valve is opened. Such testing includes seat leakage and leak tests.
- Only perform the service work as described in the Mounting and Operating Instructions EB 2512. The product warranty becomes void if service work not described in these instructions is performed without prior agreement by SAMSON's After-sales Service.

- Only use original spare parts by SAMSON, which comply with the original specifications.

The following documents are required for servicing the valve:



**Mounting and Operating Instructions EB 2512 for the pressure reducing valve:**  
▶ <https://www.samsongroup.com/document/e25120en.pdf>



**Spare Parts List EL 2512 for the pressure reducing valve:**  
▶ <https://www.samsongroup.com/document/s25120s1.pdf>

## Contents of the spare part kit

Refer to Fig. 2 for spare parts:

- Bellows seal \* Item 1
- Bellows \* Item 2
- Balancing screw \* Item 12
- Seat \* Item 16
- Plug \* Item 17
- Guide bushing \* Item 25
- Body gaskets \* Items 46 and 75
- Retaining washer \* Item 28
- Axial needle bearing \* Item 76
- Lock washer \* Item 77
- Diaphragm \* Item 108

Others:

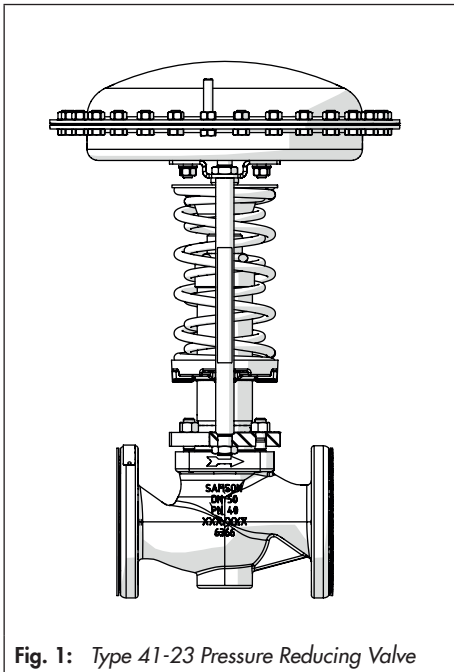
- Pair of nylon gloves with nitrile micro-foam coating (PPE category II)
- Self-stick note pad
- Pen

## **⚠ WARNING**

**Risk of personal injury due to residual process medium in the valve.**

The supplied gloves meet category II requirements for PPE. They protect against mechanical hazards (e.g. cuts, crushing, severe abrasion). They are not designed to protect against chemicals, heat or extreme cold.

➔ Do not use the supplied gloves if hazards posed by residual medium in the valve cannot be ruled out. In this case, use other gloves (not included in the scope of delivery) which provide appropriate protection.



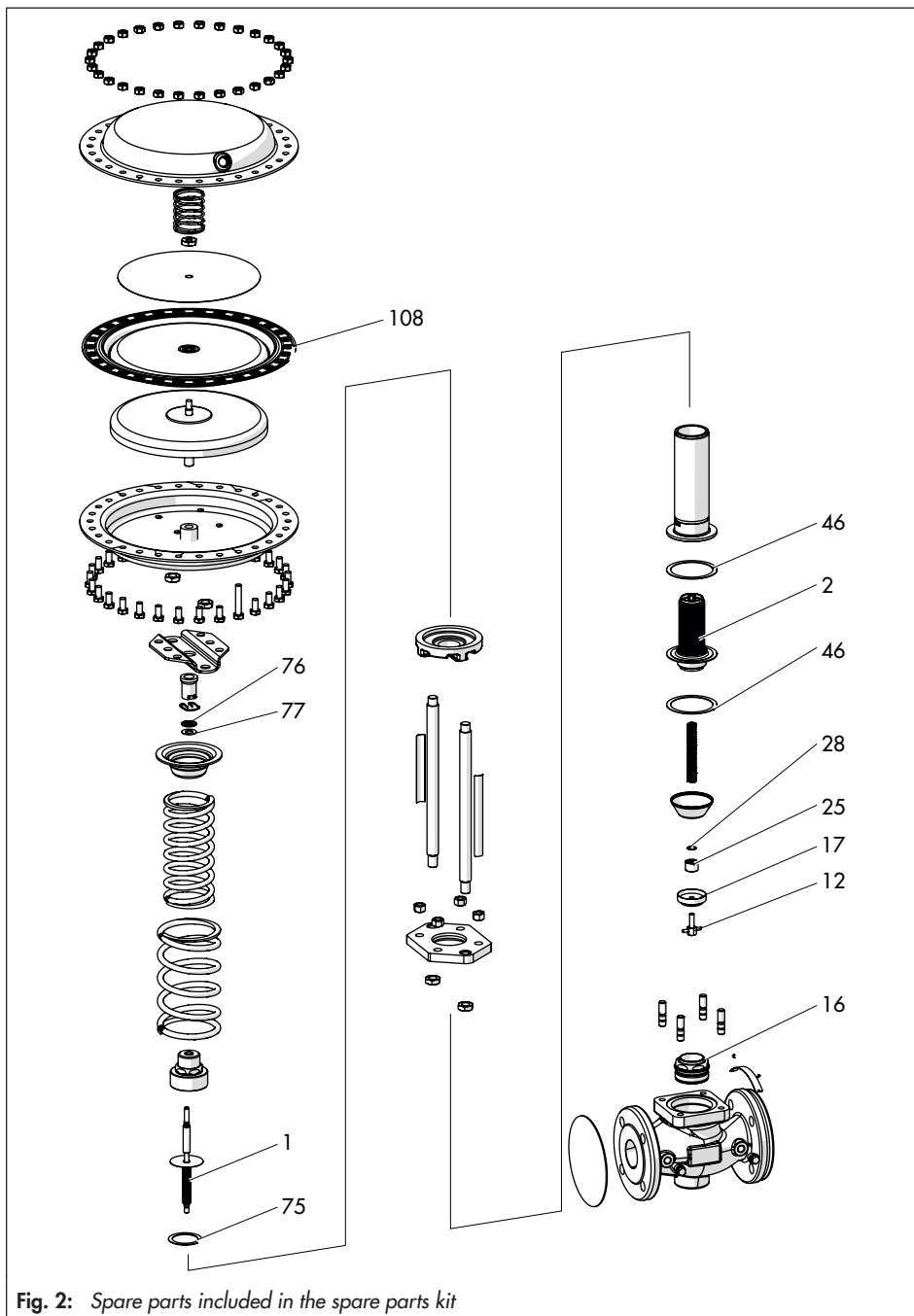


Fig. 2: Spare parts included in the spare parts kit

**Table 1: Spare parts kits and versions of the Type 41-23 Pressure Reducing Valve**

Material number	Valve size	Actuator area	Diaphragm material	Plug material	Characteristic	K <sub>vs</sub> coefficient
K100077690	DN 15 to 25	80 cm <sup>2</sup>	EPDM	1.4112	Modified linear	8
K100077691	DN 32 to 50	80 cm <sup>2</sup>	EPDM	1.4112	Modified linear	20
K100077692	DN 32 to 50	80 cm <sup>2</sup>	EPDM	1.4112	Modified linear	32
K100077693	DN 65 and 80	80 cm <sup>2</sup>	EPDM	1.4104	Modified linear	50

Material number	Facing	Pressure balancing	Noise reduction	Seat material	Seat facing	Gasket material
K100077690	Hardened	Bellows	Without	1.4104	Metal	1.4571
K100077691	Hardened	Bellows	Without	1.4104	Metal	1.4571
K100077692	Hardened	Bellows	Without	1.4104	Metal	1.4571
K100077693	Metal	Bellows	Without	1.4006+QT	Metal	1.4571

Material number	Facing
K100077690	EN-GJL-250; A126 B; FC 250; A395; A216 WCC; 1.6220; A352 LCC; 1.4309; A351 CF3; 1.4308; A351 CF8; 1.4409; A351 CF3M; A351 CF8M; 1.4552; A351 CF8C; 1.4581; 1.7357; A217 WC6; 1.7363; A217 C5; 1.7380; A217 WC9; 1.7389; A217 C12; A105
K100077691	
K100077692	
K100077693	EN-GJL-250; A126 B; FC 250; EN-GJS-400-18-LT; A395; 1.0619; A216 WCC; 1.6220; A352 LCC; 1.4309; A351 CF3; 1.4308; A351 CF8; 1.4409; A351 CF3M; 1.4408; A351 CF8M; 1.4552; A351 CF8C; 1.4581; 1.7357; A217 WC6; 1.7363; A217 C5; 1.7380; A217 WC9; 1.7389; A217 C12; 1.0460; A105

Material number	Balancing screw	Plug stem guide	Cleaning
K100077690	Universal	Floating	No special measures
K100077691	Universal	Floating	No special measures
K100077692	Universal	Floating	No special measures
K100077693	Universal	Floating	No special measures