

MOUNTING AND OPERATING INSTRUCTIONS



EB 8392 EN

Translation of original instructions



Type 3710 Reversing Amplifier

Edition June 2021



Note on these mounting and operating instructions

These mounting and operating instructions assist you in mounting and operating the device safely. The instructions are binding for handling SAMSON devices. The images shown in these instructions are for illustration purposes only. The actual product may vary.

- For the safe and proper use of these instructions, read them carefully and keep them for later reference.
- If you have any questions about these instructions, contact SAMSON's After-sales Service (aftersaleservice@samsongroup.com).



The mounting and operating instructions for the devices are included in the scope of delivery. The latest documentation is available on our website at www.samsongroup.com > **Service & Support** > **Downloads** > **Documentation**.

Definition of signal words

DANGER

Hazardous situations which, if not avoided, will result in death or serious injury

WARNING

Hazardous situations which, if not avoided, could result in death or serious injury

NOTICE

Property damage message or malfunction

Note

Additional information

Tip

Recommended action

1	Safety instructions and measures	1-1
2	Markings on the device	2-1
2.1	Nameplate	2-1
2.2	Article code	2-1
3	Design and principle of operation	3-1
3.1	Technical data	3-2
3.2	Dimensions in mm	3-3
4	Shipment and on-site transport	4-1
4.1	Accepting the delivered goods	4-1
4.2	Removing the packaging from the reversing amplifier	4-1
4.3	Transporting the reversing amplifier	4-1
4.4	Storing the reversing amplifier	4-1
5	Installation	5-1
5.1	Mounting position	5-1
5.2	Preparation for installation	5-1
5.3	Mounting the reversing amplifier on positioners and limit switches	5-1
5.3.1	Linear valves	5-1
5.3.2	Rotary valves	5-4
5.4	Pneumatic connection	5-6
5.4.1	Mounting pressure gauges	5-6
5.5	Mounting accessories	5-7
6	Start-up and operation	6-1
7	Malfunctions	7-1
7.1	Emergency action	7-1
8	Servicing.....	8-1
8.1	Periodic inspection and testing of the positioner.....	8-1
9	Decommissioning	9-1
10	Removal	10-1
11	Repairs	11-1
11.1	Returning devices to SAMSON	11-1
12	Disposal.....	12-1
13	Certificates	13-1
14	Annex.....	14-1
14.1	Accessories	14-1
14.2	After-sales service	14-2

1 Safety instructions and measures

Intended use

The Type 3710 Reversing Amplifier is mounted on pneumatic control valves to allow double-acting pneumatic actuators to be operated using single-acting electropneumatic positioners (SAMSON Types 3725, 3730-x, 3731-x, 3766 and TROVIS 3730-x Positioners) or limit switches (SAMSON Type 3767 Limit Switch). The device is designed to operate under exactly defined conditions (e.g. operating pressure, temperature). Therefore, operators must ensure that the reversing amplifier is only used in applications where the operating conditions correspond to the technical data. In case operators intend to use the positioner in other applications or conditions than specified, contact SAMSON.

SAMSON does not assume any liability for damage resulting from the failure to use the device for its intended purpose or for damage caused by external forces or any other external factors.

➔ Refer to the technical data for limits and fields of application as well as possible uses.

Reasonably foreseeable misuse

The Type 3710 Reversing Amplifier is **not** suitable for the following applications:

- Use outside the limits defined during sizing and by the technical data

Furthermore, the following activities do not comply with the intended use:

- Use of non-original spare parts
- Performing maintenance activities not described in these instructions

Qualifications of operating personnel

The reversing amplifier must be mounted, started up and serviced by fully trained and qualified personnel only; the accepted industry codes and practices are to be observed. According to these mounting and operating instructions, trained personnel refers to individuals who are able to judge the work they are assigned to and recognize possible hazards due to their specialized training, their knowledge and experience as well as their knowledge of the applicable standards.

Devices operated together with explosion-protected positioners/limit switches must only be handled by personnel who has undergone special training or instructions or who is authorized to work on explosion-protected devices in hazardous areas.

Safety instructions and measures

Personal protective equipment

No personal protective equipment is required for the direct handling of the reversing amplifier. Work on the control valve may be necessary when mounting or removing the device.

- Observe the requirements for personal protective equipment specified in the valve documentation.
- Check with the plant operator for details on further protective equipment.

Revisions and other modifications

Revisions, conversions or other modifications of the product are not authorized by SAMSON. They are performed at the user's own risk and may lead to safety hazards, for example. Furthermore, the product may no longer meet the requirements for its intended use.

Warning against residual hazards

To avoid personal injury or property damage, plant operators and operating personnel must prevent hazards that could be caused in the control valve by the process medium, the operating pressure, the signal pressure or by moving parts by taking appropriate precautions. Plant operators and operating personnel must observe all hazard statements, warning and caution notes in these mounting and operating instructions, especially for installation, start-up and service work.

If inadmissible motions or forces are produced in the pneumatic actuator as a result of the supply pressure, it must be restricted using a suitable supply pressure reducing station.

Responsibilities of the operator

Operators are responsible for proper use and compliance with the safety regulations. Operators are obliged to provide these mounting and operating instructions to the operating personnel and to instruct them in proper operation. Furthermore, operators must ensure that operating personnel or third parties are not exposed to any danger.

Responsibilities of operating personnel

Operating personnel must read and understand these mounting and operating instructions as well as the specified hazard statements, warning and caution notes. Furthermore, the operating personnel must be familiar with the applicable health, safety and accident prevention regulations and comply with them.

Referenced standards, directives and regulations

Devices with a CE marking fulfill the requirements of the Directives 2011/65/EU (RoHS), 2015/863/EU and 1907/2006 (REACH). The declaration of conformity is included at the end of these mounting and operating instructions.

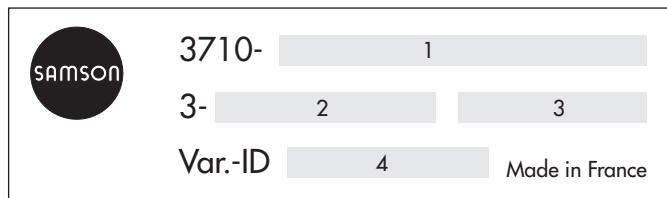
Referenced documentation

The following documents apply in addition to these mounting and operating instructions:

- Associated valve documentation
- Associated actuator documentation
- Mounting and Operating Instructions ► EB 8314-1 for Type 3725A Pneumatic Piston Actuator
- Associated mounting and operating instructions of the connected positioner/limit switch
 - ► EB 8394 for Type 3725
 - ► EB 8384-x for Type 3730-x
 - ► EB 8387-x for Type 3731-x
 - ► EB 8484-x for TROVIS 3730-x
 - ► EB 8355-1 for Type 3766
 - ► EB 8355-2 for Type 3767
- Mounting and Operating Instructions ► EB 8546 for Type 4708-54 Supply Pressure Regulator

2 Markings on the device

2.1 Nameplate




- 1 Article code
- 2 Production ID
- 3 Permissible ambient temperature
- 4 Configuration ID

2.2 Article code

Reversing amplifier	Type	3	7	1	0	x	x	0
Enclosure material								
Aluminum		0						
Stainless steel		1					3	
Connecting thread								
ISO 228/1-G ¼			1					
¼-18 NPT			2					
Ambient temperature range								
-25 to +80 °C					0			
-50 to +80 °C					1	3		
-60 to +80 °C					2	3		
Degree of protection								
IP 65, filter check valve made of polyamide							2	
IP 65, filter check valve made of stainless steel 1.4305							3	

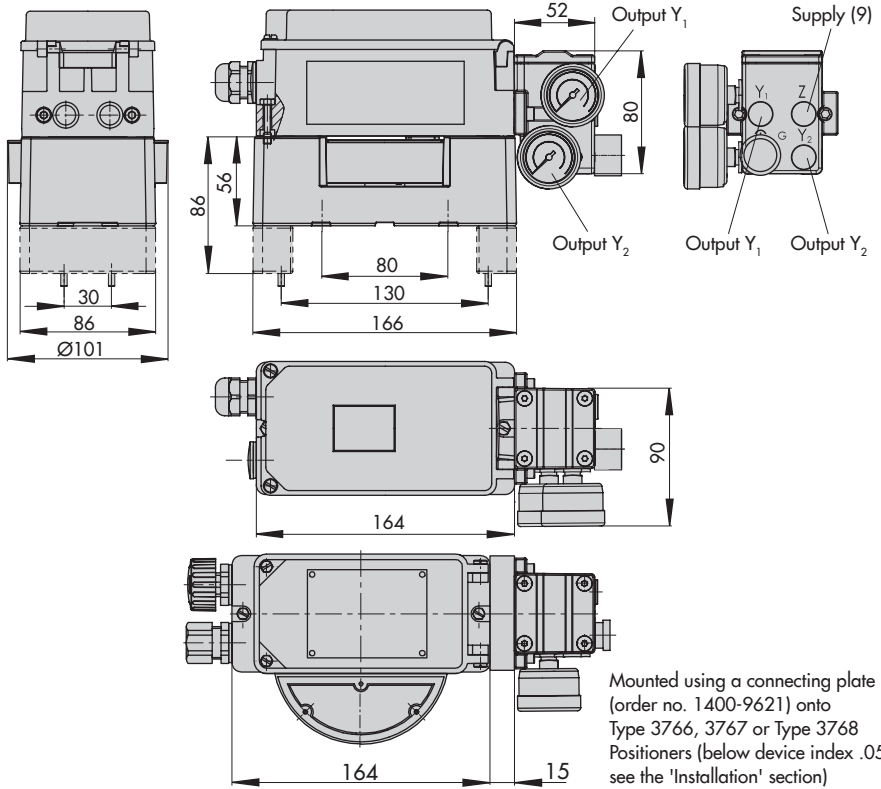
3.1 Technical data

Type 3710 Reversing Amplifier		
Permissible supply pressure	6 bar	
K _V coefficient	Actuator (supply)	0.11
	Actuator (exhaust)	0.12
Leakage	Z to Y ₂	≤20 l/h when Y ₂ = 0 bar and Z = 6 bar
	Y ₂ to vent plug	≤40 l/h when Y ₁ = 0 bar and Y ₂ = 6 bar
Connections	¼-18 NPT · ISO 228/1-G ¼	
Degree of protection	IP 65	
Compliance		
Permissible ambient temperature	-25 to +80 °C (-13 to +176 °F)	
	Low-temperature versions:	
	-50 to +80 °C (-58 to +176 °F) -60 to +80 °C (-67 to +176 °F)	
Weight	0.5 kg · 1.2 kg for stainless steel version	

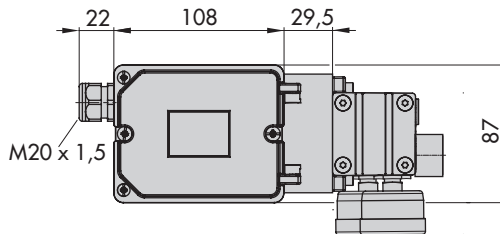
Materials	
Enclosure and cover	Powder-coated aluminum Special version in stainless steel 1.4404
Diaphragm plate	Aluminum, yellow chromated
Seat and plug	Brass
Diaphragms	Silicone rubber FVMQ · PTFE for low-temperature version

3.2 Dimensions in mm

Type 3710 Reversing Amplifier with pressure gauges, mounted on Series 3730 Positioner



Type 3710 Reversing Amplifier with pressure gauges, mounted on Type 3725 Positioner



4 Shipment and on-site transport

The work described in this section is only to be performed by personnel appropriately qualified to carry out such tasks.

4.1 Accepting the delivered goods

After receiving the shipment, proceed as follows:

1. Check the scope of delivery. Check that the specifications on the nameplate of the reversing amplifier match the specifications in the delivery note. See the 'Markings on the device' section for nameplate details.
2. Check the shipment for transportation damage. Report any damage to SAMSON and the forwarding agent (refer to delivery note).

4.2 Removing the packaging from the reversing amplifier

Observe the following sequence:

- Do not remove the packaging until immediately before installation.
- Dispose and recycle the packaging in accordance with the local regulations.

4.3 Transporting the reversing amplifier

→ Pack the reversing amplifier properly to comply with terms of transportation.

Observe the following transport instructions:

- Protect the reversing amplifier against external influences (e.g. impact).
- Protect the reversing amplifier against moisture and dirt.
- Observe transport temperature depending on the permissible ambient temperature (see the 'Design and principle of operation' section).

4.4 Storing the reversing amplifier

! NOTICE

Risk of damage to the reversing amplifier due to improper storage.

- *Observe the storage instructions.*
 - *Avoid long storage times.*
 - *Contact SAMSON in case of different storage conditions.*
-

i Note

We recommend regularly checking the prevailing storage conditions during long storage periods.

Observe the following storage instructions:

Shipment and on-site transport

- Protect the reversing amplifier against external influences (e.g. impact, shocks, vibration).
- Do not damage the corrosion protection (coating).
- Protect the reversing amplifier against moisture and dirt. In damp spaces, prevent condensation. If necessary, use a drying agent or heating.
- Observe storage temperature depending on the permissible ambient temperature (see the 'Design and principle of operation' section).
- Store reversing amplifier with the cover closed.
- Seal the pneumatic connections.
- Do not place any objects on the reversing amplifier.

5 Installation

The work described in this section is only to be performed by personnel appropriately qualified to carry out such tasks.

5.1 Mounting position

The standard device can be mounted in any desired position.

5.2 Preparation for installation

Before mounting, make sure the following conditions are met:

- The reversing amplifier is not damaged.
- The air supply is not yet connected to the reversing amplifier.

Proceed as follows:

- ➔ Lay out the necessary material and tools to have them ready during mounting.

5.3 Mounting the reversing amplifier on positioners and limit switches

5.3.1 Linear valves

a) Types 3730, 3731, 3766, 3767 and 3768, device index .05 and higher

Note

See the last two figures of the configuration ID written on the nameplate for the device index.

1. Fasten the reversing amplifier directly to the positioner/limit switch using two M5 screws.
- ➔ On mounting the device, make sure that the two O-rings (Fig. 5-1 left, 1.2) are inserted properly into their groove.
-

Tip

If you lose any O-rings for the reversing amplifier, you can order more (order number 8421-9064).

b) Type 3766, 3767 and 3768, device index below .05

i Note

See the last two figures of the configuration ID written on the nameplate for the device index.

- Required accessories:
connecting plate (1400-9621)
1. Screw the special nuts (1) included in the accessories for the connecting plate (2) into the holes of the positioner.
 2. Insert the O-rings (1.2) into the grooves of the connecting plate (2). Slide the hollow bolts (1.3) into the threaded ports and fasten tight.
 3. Fit O-rings (1.2) on the reversing amplifier. Place it on the connecting plate (2) and fasten tight.

c) Type 3725

- Required accessories:
connecting plate (1402-0512)
1. Fasten the connecting plate (1) between the positioner and the reversing amplifier using two M5 x 50 screws (2).

i Note

The screws supplied with the connecting plate have a TORX PLUS® profile and must be tightened using a suitable tool.

d) Attachment with supply pressure regulator to Type 3275 Piston Actuator

When mounting the reversing amplifier with the Type 4708-54 Supply Pressure Regulator and positioner onto a Type 3275A Piston Actuator:

- Mount the positioner in such a manner that the pneumatic connections are located on the left side (Fig. 5-3). The supply pressure regulator can only be mounted onto the reversing amplifier in this mounting position.

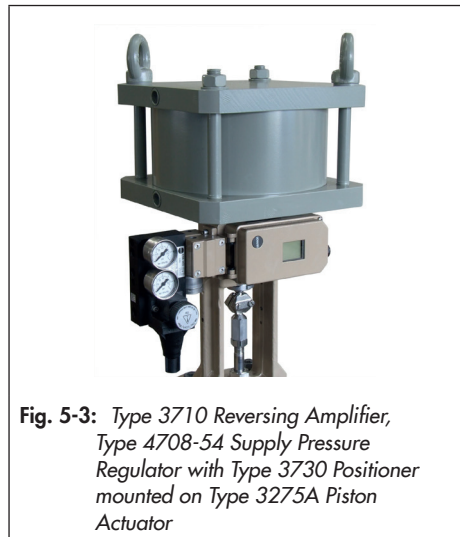


Fig. 5-3: Type 3710 Reversing Amplifier, Type 4708-54 Supply Pressure Regulator with Type 3730 Positioner mounted on Type 3275A Piston Actuator

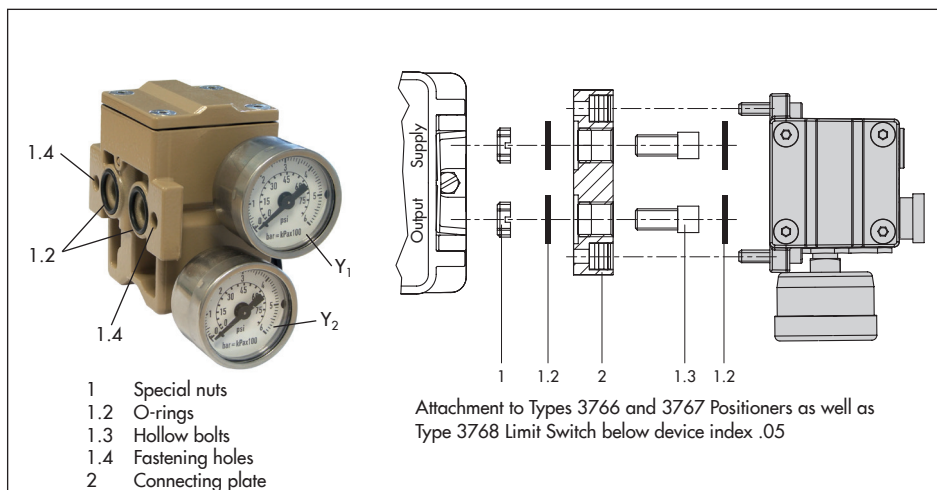


Fig. 5-1: Attachment to Types 3730, 3731, 3767, 3766 and 3768 (left: device index .05 and higher, right: device index below .05 (Types 3766, 3767 and 3768 only))

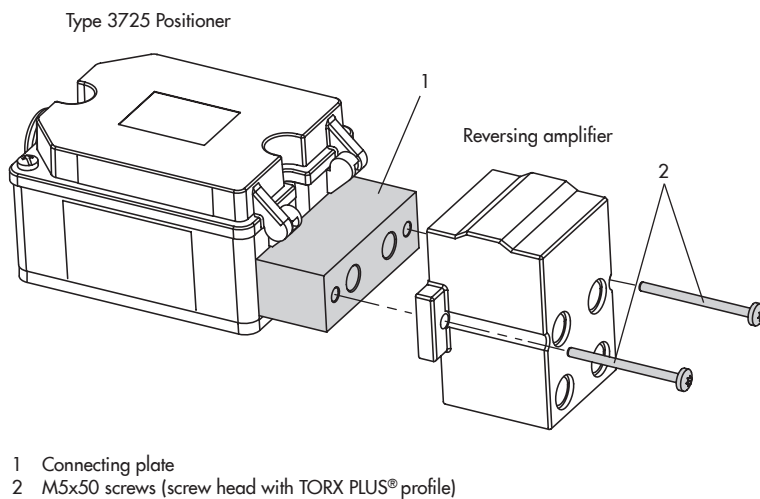


Fig. 5-2: Attachment to Type 3725 Positioner

5.3.2 Rotary valves

a) Attachment according to VDI/VDE 3845

The description applies to the following devices:

- Series 3730 Positioner (angle of rotation >90°)
- Type 3766 Positioner
- Type 3767 Positioner
- Type 3768 Limit Switch

➔ For the attachment of the reversing amplifier to the above listed devices with mounting kit (1400-8815), remove the vent plug (6) from the intermediate piece (5) and insert into the positioner (see Fig. 5-4):

1. Place the O-ring (3) onto the screw plug (1).
2. Screw the screw plug (1) into the vent opening of the intermediate piece (5).
3. Thread the threaded bushing (2) and retaining washer (4) into the free cable gland of the positioner.
4. Screw vent plug (6) into the threaded bushing (2).
5. Fasten the reversing amplifier directly to the positioner/limit switch using two M5 screws.

i Note

The vent plug included in the mounting kit (1400-8815) has IP 54 degree of protection. For a higher degree of protection, select a suitable vent plug from the accessories listed in section 5.5.

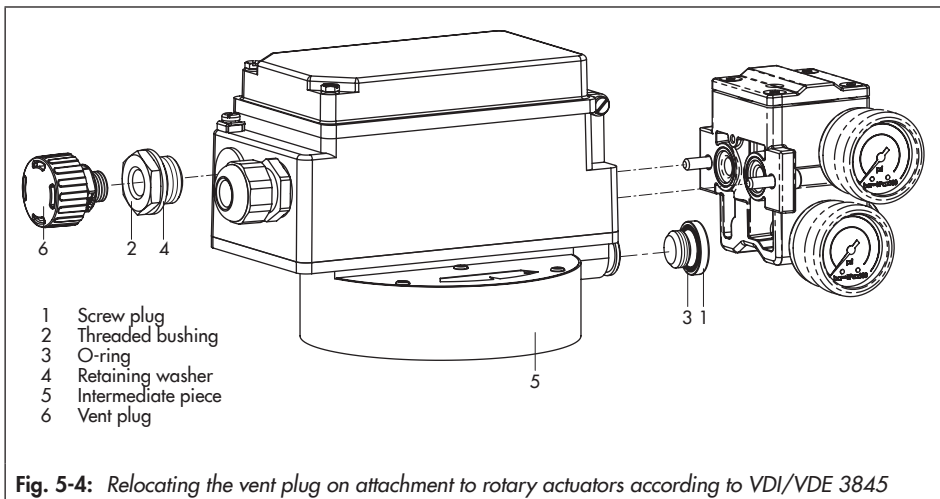


Fig. 5-4: Relocating the vent plug on attachment to rotary actuators according to VDI/VDE 3845

b) Attachment with Type 4708-54 Supply Pressure Regulator

- Required accessories: Bolts with special nuts (1400-7806) (1 in Fig. 5-6)
1. Screw special nuts (1) into the holes in the reversing amplifier.
 2. Insert gasket (3) into the recess of the supply pressure regulator and slide the special hollow bolts (2) into the holes for Output and Supply.
 3. Position reversing amplifier and fasten using the hollow bolts (2).

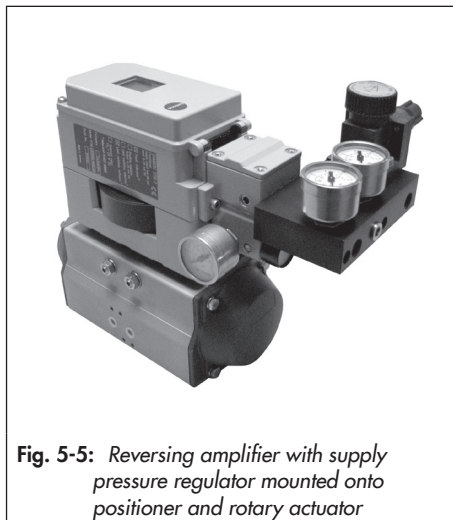


Fig. 5-5: Reversing amplifier with supply pressure regulator mounted onto positioner and rotary actuator

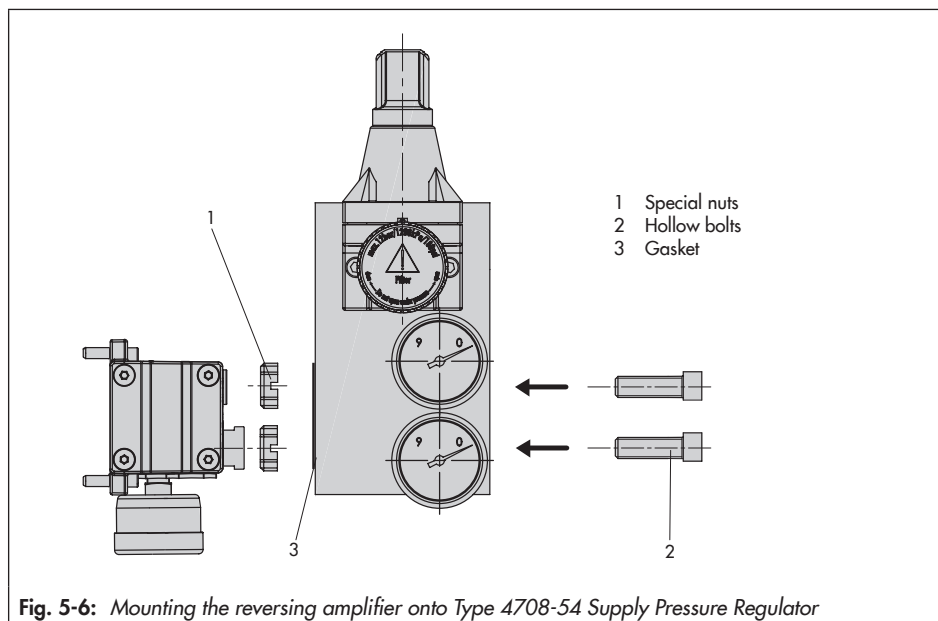


Fig. 5-6: Mounting the reversing amplifier onto Type 4708-54 Supply Pressure Regulator

5.4 Pneumatic connection

The air connections are designed either with 1/4-18 NPT or G 1/4 threads. Customary fittings for metal or copper tubing or plastic hoses can be used.

Signal pressure connections

- Y₁: Connect output Y₁ to the signal pressure connection on the actuator that causes the valve to open when the pressure rises.
- Y₂: Connect output Y₂ to the signal pressure connection on the actuator that causes the valve to close when the pressure rises.

5.4.1 Mounting pressure gauges

The Type 3710 Reversing Amplifier is designed with connections for two pressure gauges on both sides. The connections are sealed with screw plugs G 1/8 when a pressure gauge is not installed.

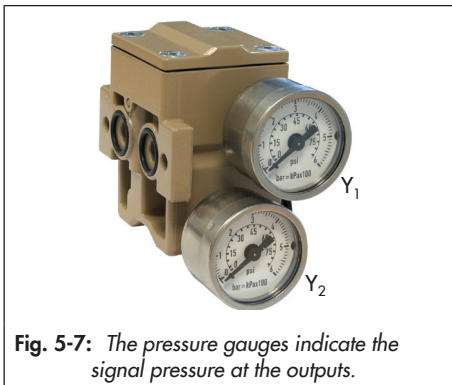


Fig. 5-7: The pressure gauges indicate the signal pressure at the outputs.

Technical data

Pressure gauge Ø 40 mm	
Indicating range	0 to 6 bar · 0 to 90 psi
Port	G 1/8
Materials	
Enclosure	Stainless steel, device free of copper
Measuring unit and connection	Stainless steel, free of copper · Nickel-plated brass connection

Mounting the pressure gauge

1. Remove the screw plug G 1/8 from the reversing amplifier.
 2. Insert the seals supplied with the reversing amplifier.
 3. Screw the pressure gauges into the corresponding connections.
 4. Tighten the lock nuts of the pressure gauges leaving a 2 to 3 mm gap between the lock nut and pressure gauge's square end.
- Always use screw plugs G 1/8 to seal any unused pressure gauge connections.

5.5 Mounting accessories

Designation	Ordering number
Accessories for attachment to Type 3725 Positioner	
Connecting plate (including two self-tapping screws M5x50)	1402-0512
Pressure gauge (order number applies to one piece)	
Pressure gauge 0 to 6 bar/psi/kPa; completely made of stainless steel, with pressure compensation element	1402-1337
Pressure gauge 0 to 6 bar/psi/kPa; stainless steel/nickel-plated brass connection, with pressure compensation element	1402-1338
Seal with spacer ¹⁾	1099-4305
Mounting kit for Type 4708-54 Supply Pressure Regulator with Type 3710 Reversing Amplifier	
Bolts with special nuts	1400-7806
Filter check valves	
IP 66, 1.4404	1790-7253
NEMA 4, polyamide	1790-9645
NEMA 4, 1.4404	1790-9646
IP 65, polyamide	1790-7408
Connecting plate for older models of Types 3766, 3767 and 3780 Positioner as well as Type 3768 Limit Switch (below device index .05)	
Connecting plate	1400-9621
Spare parts	
O-rings (included in the scope of delivery, see Fig. 5-1)	8421-9064

¹⁾ Two pieces included in the delivered state

6 Start-up and operation

The work described in this section is only to be performed by personnel appropriately qualified to carry out such tasks.

Start-up conditions

Before start-up, make sure the following conditions are met:

- The reversing amplifier is properly mounted according to the instructions.
- The air supply is properly connected.
- The prevailing conditions in the reversing amplifier's environment meet the reversing amplifier's technical specifications. See specifications on the nameplate ('Markings on the device' section) and in the technical data ('Design and principle of operation' section).

Putting the reversing amplifier into operation

No action is required.

The mounted and connected reversing amplifier is ready for use and starts to operate as soon as the connected positioner/limit switch has been put into operation. See the corresponding mounting and operating instructions:

- ▶ EB 8394 for Type 3725
- ▶ EB 8384-x for Type 3730-x
- ▶ EB 8387-x for Type 3731-x
- ▶ EB 8484-x for TROVIS 3730-x
- ▶ EB 8355-1 for Type 3766
- ▶ EB 8355-2 for Type 3767

7 Malfunctions

- If there is leakage between reversing amplifier and pneumatic connections, check the pipe fittings for leaks.
- If there is leakage between reversing amplifier and positioner/limit switch, check correct seating of O-rings and replace them with new ones, if necessary.
- In case of other malfunctions, contact SAMSON's After-sales Service: aftersaleservice@samsongroup.com.

7.1 Emergency action

Plant operators are responsible for emergency action to be taken in the plant.

If the reversing amplifier malfunctions:

5. Perform troubleshooting.
6. Rectify those malfunctions that can be remedied based on the instructions provided here. Contact our after-sales service in all other cases.



Tip

Emergency action in the event of failure of the valve, actuator, positioner, limit switch or supply pressure regulator is described in the associated documentation:

- Associated valve documentation
 - Associated actuator documentation
 - Mounting and Operating Instructions
 - ▶ *EB 8314-1 for Type 3725A Pneumatic Piston Actuator*
 - Associated mounting and operating instructions of the connected positioner/limit switch
 - ▶ *EB 8394 for Type 3725*
 - ▶ *EB 8384-x for Type 3730-x*
 - ▶ *EB 8387-x for Type 3731-x*
 - ▶ *EB 8484-x for TROVIS 3730-x*
 - ▶ *EB 8355-1 for Type 3766*
 - ▶ *EB 8355-2 for Type 3767*
 - Mounting and Operating Instructions
 - ▶ *EB 8546 for Type 4708-54 Supply Pressure Regulator*
-

8 Servicing

The reversing amplifier is maintenance-free.

8.1 Periodic inspection and testing of the positioner

The work described in this section is only to be performed by personnel appropriately qualified to carry out such tasks.

→ We recommend inspection and testing according to Table 8-1 at the minimum.

Table 8-1: *Recommended inspection and testing*

Inspection and testing	Action to be taken in the event of a negative result
Check the markings, labels and nameplates on the reversing amplifier for their readability and completeness.	Contact SAMSON when nameplates or labels are damaged, missing or incorrect to renew them.
	Clean any inscriptions that are covered with dirt and are illegible.
Check the reversing amplifier to ensure it is mounted firmly.	Tighten the any loose mounting screws.
Check the pneumatic connections.	Tighten any loose male connectors of the screw fittings.
	Renew any air pipes or hoses that leak.

9 Decommissioning

The work described in this section is only to be performed by personnel appropriately qualified to carry out such tasks.

Decommissioning the reversing amplifier

NOTICE

The process is disturbed by the movement of the actuator stem.

→ *Do not initialize the positioner while the process is running and only after isolating the plant by closing the shut-off valves.*

To decommission the reversing amplifier before removing it, the connected positioner/limit switch must be taken out of operation. See the corresponding mounting and operating instructions:

- ▶ EB 8394 for Type 3725
- ▶ EB 8384-x for Type 3730-x
- ▶ EB 8387-x for Type 3731-x
- ▶ EB 8484-x for TROVIS 3730-x
- ▶ EB 8355-1 for Type 3766
- ▶ EB 8355-2 for Type 3767

10 Removal

The work described in this section is only to be performed by personnel appropriately qualified to carry out such tasks.

1. Put the reversing amplifier out of operation (see the 'Decommissioning' section).
2. Disconnect the air connections.
3. Unscrew the fastening screws on the reversing amplifier.

11 Repairs

A defective reversing amplifier must be repaired or replaced.

NOTICE

Risk of damage to the reversing amplifier due to incorrect service or repair work.

- *Do not perform any repair work on your own.*
 - *Contact SAMSON's After-sales Service for repair work.*
-

11.1 Returning devices to SAMSON

Defective reversing amplifiers can be returned to SAMSON for repair.

Proceed as follows to return devices to SAMSON:

1. Put the reversing amplifier out of operation (see the 'Decommissioning' section).
2. Remove the reversing amplifier (see the 'Removal' section).
3. Proceed as described on the Returning goods page of our website
 - ▶ www.samsongroup.com > Service & Support > After-sales Service > Returning goods

12 Disposal

- Observe local, national and international refuse regulations.
- Do not dispose of components, lubricants and hazardous substances together with your other household waste.

13 Certificates

The following certificates are included on the next pages:

- EU declaration of conformity:
2011/65/EU (RoHS) and 2015/863/
EU
- EU declaration of conformity:
REACH 1907/2006
- Declaration of Conformity
China RoHS 2.0 GB/T26572-2011
- Letter of exemption TR CU 010/2011
- Letter of exemption TR CU 032/2013

The certificates shown were up to date at the time of publishing. The latest certificates can be found on our website:

▶ www.samsunggroup.com > Products & Applications > Product selector > Valve accessories > 3710

SAMSON REGULATION S.A.S.



1/1

DC008
2019-11

DECLARATION UE DE CONFORMITE **EU DECLARATION OF CONFORMITY** **EU KONFORMITÄTSERKLÄRUNG**

La présente déclaration de conformité est établie sous la seule responsabilité du fabricant.
This declaration of conformity is issued under the sole responsibility of the manufacturer.
Die alleinige Verantwortung für die Ausstellung dieser Konformitätserklärung trägt der Hersteller.

Nous certifions pour les produits suivants en exécution standard :

For the following products in standard execution:
Für die folgenden Produkte in Standard-Ausführung:

Type / type / Typ : 2371, 3249, 3252, 3310, 3331, 3347, 3349, 3351, 3710, 3711, 3776, 3777, 3812,
3963, 3964, 3967, 4708, 4746, 5090, Samstation

sont conformes à la législation applicable harmonisée de l'Union :

the conformity with the relevant Union harmonization legislation is declared with:
wird die Konformität mit den einschlägigen Harmonisierungsrechtsvorschriften der Union bestätigt:

RoHS 2011/65/EU, 2015/863/EU

EN50581:2012-09

Fabricant : SAMSON REGULATION S.A.S.
Manufacturer: 1, rue Jean Corona
Hersteller: 69520 Vaulx-en-Velin
France

Vaulx-en-Velin, le 26/11/19

Au nom du fabricant,
On behalf of the Manufacturer,
Im Namen des Herstellers,

SAMSON REGULATION S.A.S.

Joséphine SIGNOLES-FONTAINE
Responsable QSE

SAMSON REGULATION S.A.S.



1/1

DECLARATION UE DE CONFORMITE
EU DECLARATION OF CONFORMITY
EU KONFORMITÄTSERKLÄRUNG

DC007
2020-04

La présente déclaration de conformité est établie sous la seule responsabilité du fabricant.
This declaration of conformity is issued under the sole responsibility of the manufacturer.
Die alleinige Verantwortung für die Ausstellung dieser Konformitätserklärung trägt der Hersteller.

Nous certifions pour les produits suivants en exécution standard :
For the following products in standard execution:
Für die folgenden Produkte in Standard-Ausführung:

Type / type / Typ : 2371, 3249, 3252, 3256, 3310, 3331, 3347, 3349, 3351, 3710, 3711, 3759, 3964,
4708, 5090, Samstation

sont conformes à la législation applicable harmonisée de l'Union :
the conformity with the relevant Union harmonization legislation is declared with:
wird die Konformität mit den einschlägigen Harmonisierungsrechtsvorschriften der Union bestätigt:

REACH (CE) n°1907/2006

Fabricant : SAMSON REGULATION S.A.S.
Manufacturer: 1, rue Jean Corona
Hersteller: 69520 Vaulx-en-Velin
France

Vaulx-en-Velin, le 28/04/20

Au nom du fabricant,
On behalf of the Manufacturer,
Im Namen des Herstellers,

SAMSON REGULATION S.A.S.

Joséphine SIGNOLES-FONTAINE
Responsable QSE

SAMSON REGULATION S.A.S.



1/1

DECLARATION DE CONFORMITE DECLARATION OF CONFORMITY

符合性声明

DC027
2020-04

La présente déclaration de conformité est établie sous la seule responsabilité du fabricant.
This declaration of conformity is issued under the sole responsibility of the manufacturer.
制造商对发布的符合性声明全权负责。

Nous certifions que les produits suivants en exécution standard :
For the following products in standard execution:
适用于下述型号的产品：

Type / type / 型号： 2371, 3249, 3252, 3310, 3331, 3347, 3349, 3351, 3710, 3711, 5090, Samstation

sont conformes à la législation applicable :
the conformity with the relevant legislation is declared with:
声明符合相关法规：

China RoHS 2.0 GB/T26572-2011

Fabricant :
Manufacturer :
制造商

SAMSON REGULATION S.A.S.
1, rue Jean Corona
69120 Vaulx-en-Velin
France

Vaulx-en-Velin, le 20/04/2020

Au nom du fabricant,
On behalf of the Manufacturer,
制造商的代表人

SAMSON REGULATION S.A.S.

Joséphine SIGNOLES-FONTAINE
Responsable QSE
QSE Manager
QSE 负责人

SAMSON REGULATION - 1 rue Jean Corona - 69120 Vaulx-en-Velin
Tél. : +33 (0)4 72 04 75 00 - Fax : +33 (0)4 72 04 75 70 - E-mail : samson@samson.fr - Internet : www.samson.fr

Société par actions simplifiée au capital de 10.000.000 € - Siège social : Vaulx-en-Velin
N° SIRET : RCS Lyon 67 788 165 655 10127 - N° de TVA : FR 67 788 165 653 - Code APE 2814Z

BNP Paribas

N° compte 0002200215245 - Banque 3000401857
IBAN FR933000401857000200215245 - BIC (code SWIFT) BNPAFRPPVBE

Crédit Lyonnais

N° compte 00000803035841 - Banque 3000201836
IBAN FR93300020183600000803035841 - BIC (code SWIFT) CRLYFRPP

Орган по сертификации продукции Общества с ограниченной ответственностью
"Экспертной организации "Инженерная безопасность"
(аттестат аккредитации № RA.RU.11MX24 от 21.09.2015)
Место нахождения: 109377, г. Москва, Рязанский проспект, д. 32, корп. 3, лит. 202
Адрес места осуществления деятельности: 109377, г. Москва, Рязанский проспект, д. 32, корп. 3, офис 202
Тел. +7 (495) 641-22-57, факс: +7 (495) 641-22-57, e-mail: info@essafety.ru

УТВЕРЖДАЮ

Руководитель (заместитель руководителя)
органа по сертификации



Ю.Н. Иванов
инициалы, фамилия

РЕШЕНИЕ ПО ЗАЯВКЕ (отрицательное)

№ 00012 /ТРТС от 05.02.2020

В результате рассмотрения заявки:

№ 00012/ТРТС от 03.02.2020 г., содержащей ниже указанные данные:

Заявитель: Общество с ограниченной ответственностью "САМСОН КОНТРОЛС", Основной государственный регистрационный номер: 1037700041026.

Место нахождения и адрес места осуществления деятельности: 109544, город Москва, бульвар Энтузиастов, дом 2, этаж 5, комната 11, Российская Федерация, Телефон: +7 (495) 777-4545, адрес электронной почты: samson@samson.ru.

Продукция:

- пневматические блокировочные реле, тип 3709;
- пневматические реверсивные усилители, тип 3710;
- пневматические бустерные усилители, типы: 3755, 3756;
- пневматические задатчики, тип 3759;
- пневматические преобразователи давления, тип 3804;
- пневматические преобразователи температуры, тип 812 (3812);
- термостаты, типов 2403К, 2430К, 2439, 2212, 2213, 2231, 2232, 2233, 2234, 2235.

на проведение обязательной сертификации продукции требованиям технического (-их) регламента (-ов) Таможенного союза:

Технического регламента Таможенного союза ТР ТС 010/2011 «О безопасности машин и оборудования»

Код ТН ВЭД ЕАЭС 8479 89 970 8, 8481 10 190 8, 8481 90 000 0, 9032 10 890 0

Изготовитель продукции:

"SAMSON AG Mess- und Regeltechnik"

Место нахождения и адрес места осуществления деятельности по изготовлению продукции: Weismullerstrasse 3, 60314 Frankfurt am Main, Федеративная Республика Германия.

И в результате анализа документов, представленных заявителем в Орган по сертификации продукции принято решение:

1. Отказать в проведении обязательной сертификации заявленной продукции на соответствие требованиям Технического регламента Таможенного союза ТР ТС 010/2011 «О безопасности машин и оборудования»

2. На основании:

Нераспространение действия требований Технического регламента Таможенного союза ТР ТС 010/2011 «О безопасности машин и оборудования» на заявленную продукцию.

Эксперт

Д.Г. Кременчуцкий
инициалы, фамилия

Орган по сертификации продукции Общества с ограниченной ответственностью
Экспертной организации "Инженерная безопасность"
(аттестат аккредитации № RA.RU.11MX24 от 21.09.2015)
Место нахождения: 109377, г. Москва, Рязанский проспект, д. 32, корп. 3, пом. 202
Адрес места осуществления деятельности: 109377, г. Москва, Рязанский проспект, д. 32, корп. 3, офис 202
Тел.: +7 (495) 641-22-57, факс: +7 (495) 641-22-57, e-mail: info@easafety.ru

УТВЕРЖДАЮ
Руководитель (заместитель руководителя)
органа по сертификации



Ю.Н. Иванов
инициалы, фамилия

РЕШЕНИЕ ПО ЗАЯВКЕ (отрицательное)

№ 00013 /TPTC от 05.02.2020

В результате рассмотрения заявки:

№ 00013/TPTC от 03.02.2020 г., содержащей ниже указанные данные:

Заявитель: Общество с ограниченной ответственностью "САМСОН КОНТРОЛС", Основной государственный регистрационный номер: 1037700041026.

Место нахождения и адрес места осуществления деятельности: 109544, город Москва, бульвар Энтузиастов, дом 2, этаж 5, комната 11, Российская Федерация, Телефон: +7 (495) 777-4545, адрес электронной почты: samson@samson.ru.

Продукция:

- клапаны быстросрабатывающие, тип 3711
- пневматические блокировочные реле, тип 3709
- пневматические реверсивные усилители, тип 3710
- пневматические бустерные усилители, типы: 3755, 3756
- пневматические задатчики, тип 3759
- пневматические преобразователи давления, тип 3804
- пневматические преобразователи температуры, тип 812 (3812)
- термостаты, типов 2403К, 2430К, 2439, 2212, 2213, 2231, 2232, 2233, 2234, 2235.

на проведение обязательной сертификации продукции требованиям технического (-их) регламента (-ов) Таможенного союза:

Технического регламента Таможенного союза ТР ТС 032/2013 «О безопасности оборудования, работающего под избыточным давлением»

наименование технического (-их) регламента (-ов) Таможенного союза, на соответствие требованиям которого проводится подтверждение соответствия в форме сертификации

Код ТН ВЭД ЕАЭС 8479 89 970 8, 8481 10 190 8, 8481 90 000 0, 9032 10 890 0

Изготовитель продукции:
"SAMSON AG Mess- und Regeltechnik"

Место нахождения и адрес места осуществления деятельности по изготовлению продукции: Weismullerstrasse 3, 60314 Frankfurt am Main, Федеративная Республика Германия.

И в результате анализа документов, представленных заявителем в Орган по сертификации продукции принято решение:

1. Отказать в проведении обязательной сертификации заявленной продукции на соответствие требованиям Технического регламента Таможенного союза ТР ТС 032/2013 «О безопасности оборудования, работающего под избыточным давлением»

2. На основании:

Нераспространение действия требований Технического регламента Таможенного союза ТР ТС 032/2013 «О безопасности оборудования, работающего под избыточным давлением» на заявленную продукцию.

Эксперт

Д.Г. Кременчуцкий
инициалы, фамилия

14 Annex

14.1 Accessories

Designation	Ordering number
Accessories for attachment to Type 3725 Positioner	
Connecting plate (including two self-tapping screws M5x50)	1402-0512
Pressure gauge (order number applies to one piece)	
Pressure gauge 0 to 6 bar/psi/kPa; completely made of stainless steel, with pressure compensation element	1402-1337
Pressure gauge 0 to 6 bar/psi/kPa; stainless steel/nickel-plated brass connection, with pressure compensation element	1402-1338
Seal with spacer ¹⁾	1099-4305
Mounting kit for Type 4708-54 Supply Pressure Regulator with Type 3710 Reversing Amplifier	
Bolts with special nuts	1400-7806
Filter check valves	
IP 66, 1.4404	1790-7253
NEMA 4, polyamide	1790-9645
NEMA 4, 1.4404	1790-9646
IP 65, polyamide	1790-7408
Connecting plate for older models of Types 3766, 3767 and 3780 Positioner as well as Type 3768 Limit Switch (below device index .05)	
Connecting plate	1400-9621
Spare parts	
O-rings (included in the scope of delivery, see Bild 5-1)	8421-9064

¹⁾ Two pieces included in the delivered state

14.2 After-sales service

Contact our after-sales service for support concerning service or repair work or when malfunctions or defects arise.

You can reach our after-sales service at aftersalesservice@samsongroup.com.

Addresses of SAMSON AG and its subsidiaries

The addresses of SAMSON AG, its subsidiaries, representatives and service facilities worldwide can be found on our website (www.samsongroup.com) or in all SAMSON product catalogs.

Required specifications

Please submit the following details:

- Order number and position number in the order
- Article code, production ID and configuration ID (see the 'Markings on the device' section for nameplate details)

EB 8392 EN



SAMSON AKTIENGESELLSCHAFT

Weismüllerstraße 3 · 60314 Frankfurt am Main, Germany

Phone: +49 69 4009-0 · Fax: +49 69 4009-1507

samson@samsongroup.com · www.samsongroup.com